

Grapple Saw Fixed Rotator

- 8-14t IT1600/500.GS
- 14-20t IT1600/800.GS

**FERNTREE
EQUIPMENT
& DISTRIBUTION**
YOUR QUALITY BRAND CONNECTION



100%



MADE IN ITALY

IT 1600/500 (8 – 13t)

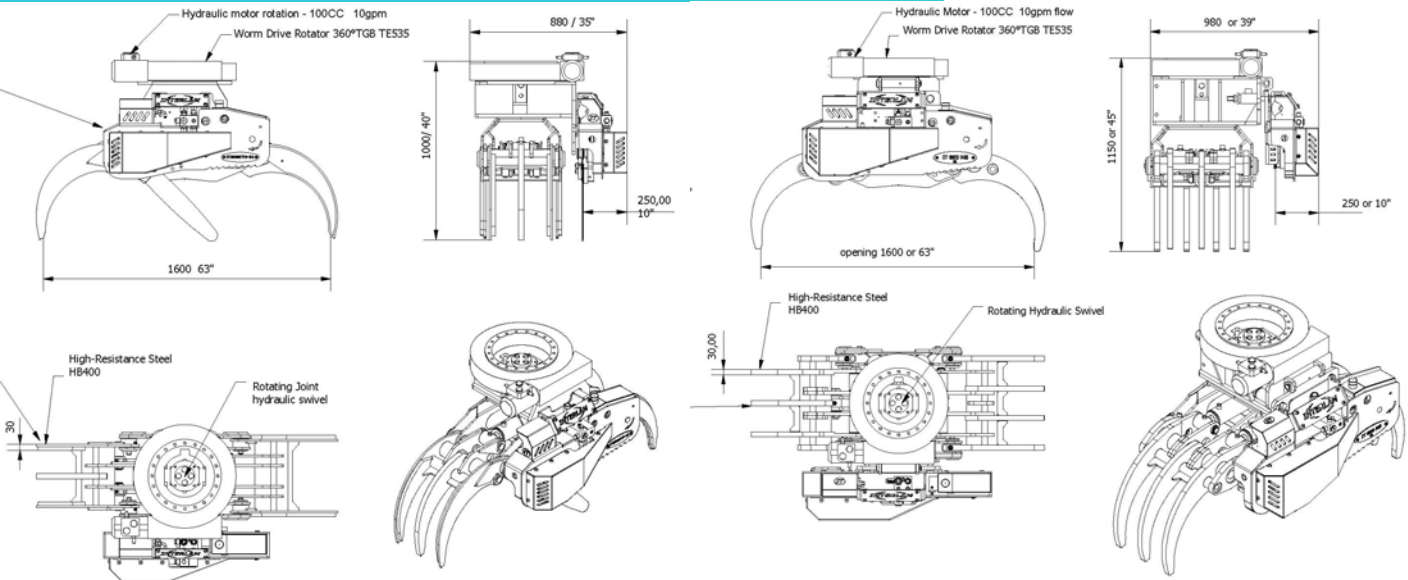
IT 1600/800 (14 – 20t)



5 Finger Grapple



7 Finger Grapple



Model	Weight lbs	Flow Saw	PSI	Cutting Diameter	Chain Sprocket	Motor CC	Chain Tensioner
IT1600 /500	1650	18-26 gpm	3625 PSI	20 - 24"	404 B11	Parker F11/10	Mechanical Quick tension
IT1600 /800	1960	31-42 gpm	3625PSI	26 - 32"	404 Or ¾ C13	Parker F11 / 19	Automatic Chain Tensioner

Standard Equipment

- 45 degree base mount
- 2 auxiliary valve set up
- 404 chain
- Yellow/ Black
- CAMM Worm Drive Rotator
- 5 Finger IT1600/500
- 7 Finger IT 1600/800

Optional Equipment

- Single auxiliary line set up
- Pin grab Customisation
- Custom Color
- 4 Finger Grapple
- Closed Finger Grapple
- ¾ chain for 14-20t Unit

Technical data are dependent on equipment and may vary.
 The images may contain additional options which do not belong to the standard scope of delivery. **INTERLAM** and **FERNTREE Equipment** reserves the right to make amendments and updates at any time without prior notice.



**FERNTREE
EQUIPMENT
& DISTRIBUTION**
 YOUR QUALITY BRAND CONNECTION

**Import & Distribution
North-America**

Info@ferntree.ca
 +1 778 222 9111
 Guelph Ontario Canada
 www.ferntree.ca