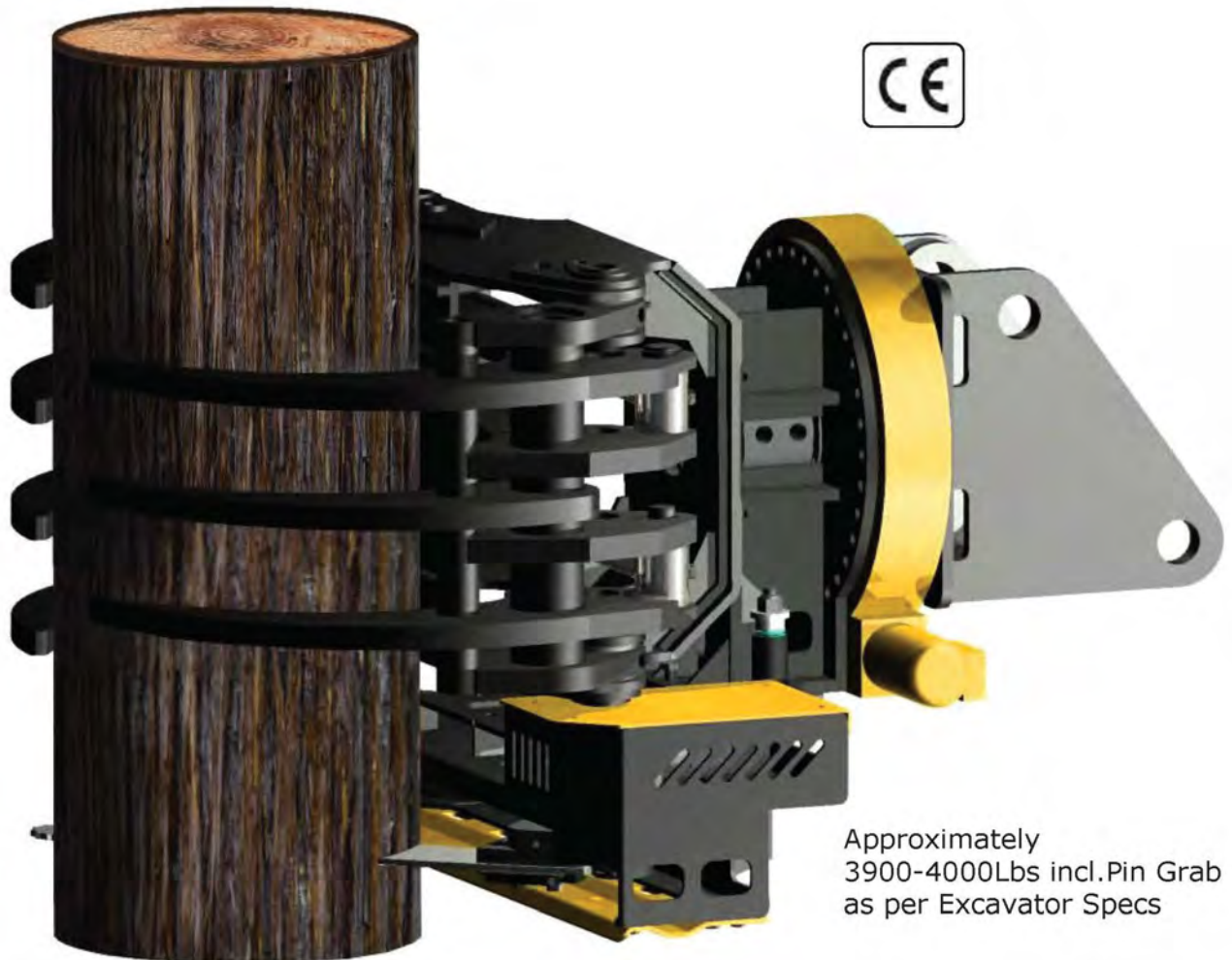


# Interlam Grapple Saw

➤ IT 1900.3/4 20,- 30t Series



**INTERLAM S.R.L Grapple Saws are made by true Forestry Specialist in Italy. Experience in Tree Shears , Dangle Saws , Log Grapples and Saw Grapples for Cranes , Excavators and Telehandlers. INTERLAM also know throughout EUROPE as one of the only suppliers for Saw Boxes in the Aftermarket sector.**



Approximately  
3900-4000Lbs incl.Pin Grab  
as per Excavator Specs

# INTERLAM IT1900-3/4.CS 20-30t Excavator



Approximately  
3900-4000Lbs incl. Pin Grab  
as per Excavator Specs

## Standard Equipment

- 45 degree base mount
- 2 auxiliary valve set up
- 3/4 chain
- Yellow/ Black
- TGB Worm Drive Rotator
- 7 Finger Grapple



3590 Lbs  
Base unit



## Optional Equipment

- Single auxiliary line set up
- Pin grab Customisation
- Custom Color

Technical data are dependent on equipment and may vary.  
The images may contain additional options which do not belong to the standard scope of delivery. **INTERLAM** and **FERNTREE Equipment** reserves the right to make amendments and updates at any time without prior notice.



**FERNTREE  
EQUIPMENT  
& DISTRIBUTION**  
YOUR QUALITY BRAND CONNECTION

**Import & Distribution  
North-America**

[Info@ferntree.ca](mailto:Info@ferntree.ca)  
+1 778 222 9111  
Guelph Ontario  
Canada [www.ferntree.ca](http://www.ferntree.ca)

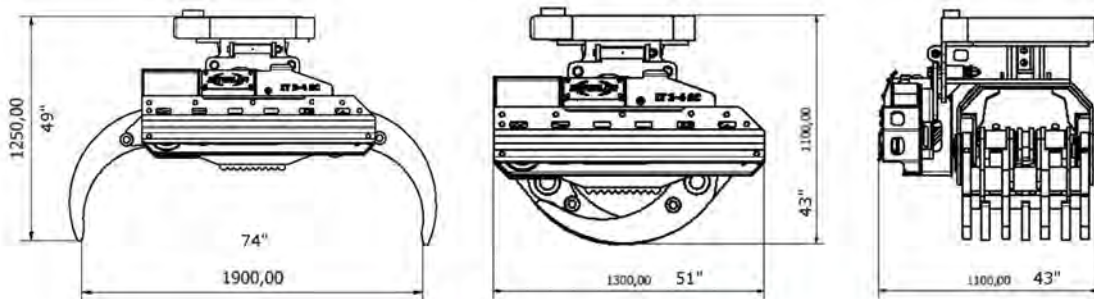
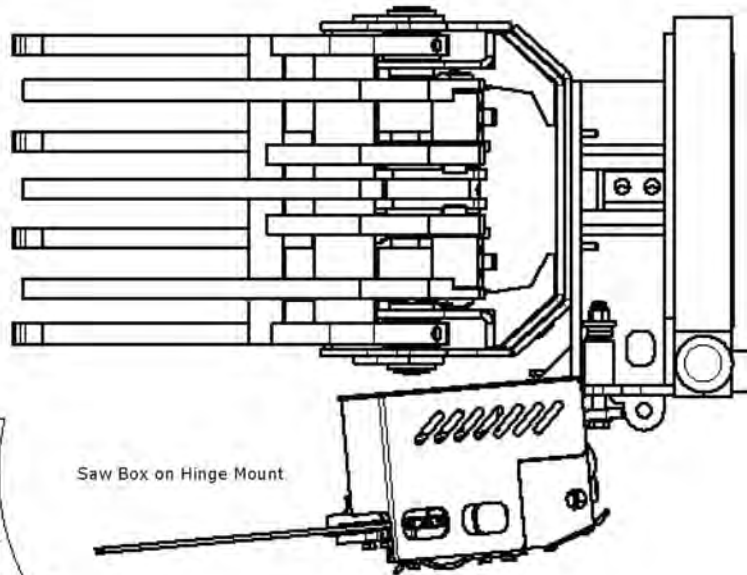




100%



MADE IN ITALY



**LOG GRAB IT 1900 C2**  
Load 8.000 Kg / 17700 lbs


**CHAINSAW KIT IT 3/4 SC**  
Max cut diameter - 700 mm / 28"

**SLEWING GEARS/Worm Drive Rotator**  
340 KN - Radial 270 KN Dynamic rating - Axial 340 KN

weight without Pin Grab & 45degree base plate  
Total Weight of equipment - 1.500/1.600 Kg/3590 lbs

Base Plate & Pin Grab approx. 500 lbs(dep.Excavtor size)

Max pressure - 250 Bar / 3630PSI

 20 - 25 t.



100%



MADE IN ITALY



## PINZA PER TRONCHI- Log Grab IT 1600 C2 - IT 1900 C2



					Portata Kg Load Kg	Bar max	Peso Kg Weight Kg		
<b>IT 1600 C2</b>	110	600	700	1.600	5.000	250	430	9 - 16	IT 700 CTH IT 800 MS IT 800 MSA
<b>IT 1900 C2</b>	110	720	1.100	1.900	8.000	250	800	18 - 25	IT 3/4 MS IT 3/4 SC

The IT 1600 & 1900 C2 log grab was designed for heavy-duty work. The open forks made of 40 mm thick STEEL HB 400 and the two hydraulic cylinders allow easy handling of logs and branches. The clamp can be equipped with a 3/4" chainsaw kit and slewing ring rotation.





100%



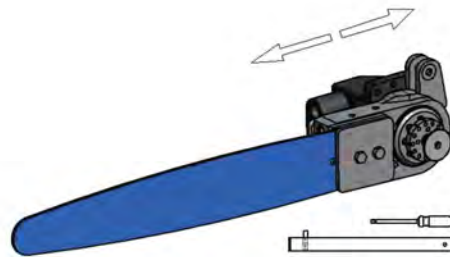
MADE IN ITALY



## Automatic Chain Tensioner



*With their automatic chain tensioner, the IT3/4 SC chainsaw kits increase the speed of chain gear change and ensure the chain stays inside its track whilst cutting. Only a few minutes are necessary to replace the chain.*



### KIT-MOTOSEGA - Chainsaw Kit IT 3/4 SC



Total length - 1.220 mm

Total width - 3400 mm

Total height - 430 mm

Weight - 170 Kg / 380 lbs

Max cut diameter - 900/1.000 mm Hydraulic engine - F12-30

Engine oil litres - 130 min 160 34-42 gpm

Max pressure - 250 Bar 3630 psi

Chain lubrication automatic

Oil tank - 1,5 lt / 0,4 Gallon

Quick mechanical chain tensioner Standard

Case Drainage straight to the tank

Saw bar - 915/1.016 mm /36" or 40"

Chain - 3/4"

Chain Sprocket - V9 3/4" d.32

Automatic Chaintensioner for USA & Canada STANDARD



100%



MADE IN ITALY



INTERLAM since 1964



**FERN TREE  
EQUIPMENT  
& DISTRIBUTION**

YOUR QUALITY BRAND CONNECTION

**Import & Distribution  
North-America**

[Info@ferntree.ca](mailto:Info@ferntree.ca)

+1 778 222 9111

Guelph Ontario

Canada [www.ferntree.ca](http://www.ferntree.ca)

