

Grapple Saw fixed rotator
IT 1300/450
IT 1300/500
5.5 – 10t Excavator



**FERNTREE
EQUIPMENT
& DISTRIBUTION**
YOUR QUALITY BRAND CONNECTION



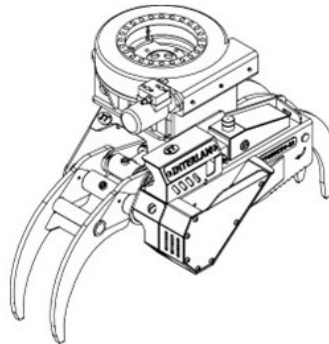
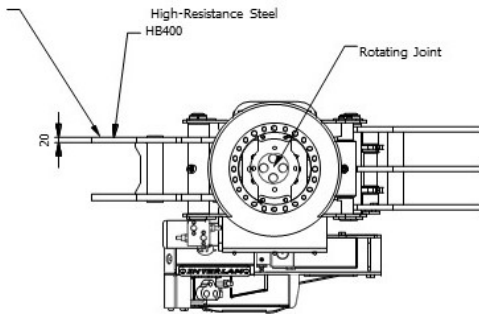
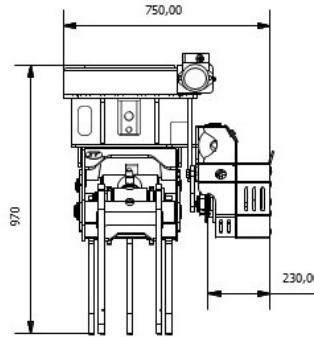
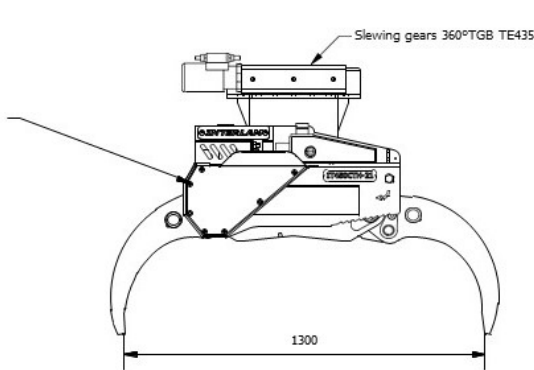
100%



MADE IN ITALY

IT 1300/450.500

5 Finger Grapple



Standard Equipment

- 45-degree base mount
- 2 auxiliary valve set up
- 404 chain
- Yellow/ Black
- CAMM Worm Drive Rotator
- 5 Finger IT300 Grapple

Optional Equipment

- Single auxiliary line set up
- Pin grab Customisation
- Custom Color
- 4 Finger Grapple
- Closed Finger Grapple
- Grease Lubrication (500)

Model	Weight lbs	Flow Saw	PSI	Cutting Diameter	Chain Sprocket	Motor CC	Chain Tensioner
IT300 450	1100	11 – 16 Gpm	3625 PSI	20 - 22"	404 B11	Parker F11/06	Mechanical Quick tension
IT1300 500	1250	18 - 27 Gpm	3625PSI	22 - 25"	404 B11	Parker F11 / 10	Mechanical Quick tension

Technical data are dependent on equipment and may vary. The images may contain additional options which do not belong to the standard scope of delivery. **INTERLAM** and **FERNTREE Equipment** reserves the right to make amendments and updates at any time without prior notice.



**FERNTREE
EQUIPMENT
& DISTRIBUTION**
YOUR QUALITY BRAND CONNECTION

**Import & Distribution
North-America**
Info@ferntree.ca
+1 778 222 9111
Guelph Ontario Canada
www.ferntree.ca